

Product Code:
TCR
TSR

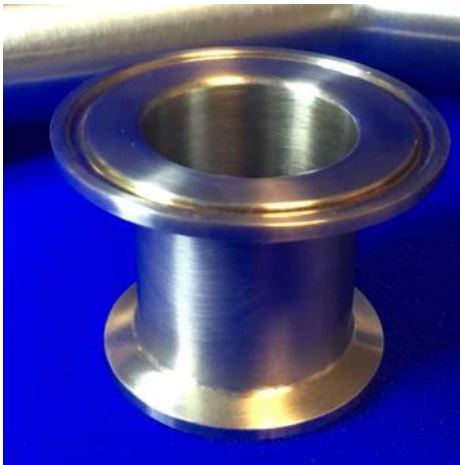
Description:

For use where different size tri-clovers need to be connected.

Reducers are available with concentric (TCR) and straight profile (TSR).

Concentric reducers are available in ASME BPE SF1 finish, in a range of standard sizes as shown on page 2. Also available in custom sizes in a highly polished finish.

Straight reducers are custom made and available in a highly polished finish.



Specification:

TUBE MATERIAL	316L stainless steel
TUBE SIZE	3/4", 1", 1 1/2", 2", 2 1/2" or 3" tube
TRI-CLOVER SIZES	See below

Nominal Size		Dimensions (mm)			Mass (Kg)
Imperial	Metric	Face Ø A	Flange Ø C	Width W	
1/2" - 3/4"	n/a	12.5	25.4	5.6	0.02
1" - 1 1/2"	25	24.5	50.5	7.0	0.08
2"	50	39.0	64.0	7.0	0.14
2 1/2"	n/a	53.5	77.5	7.0	0.21
3"	65	66.5	91.0	7.0	0.30

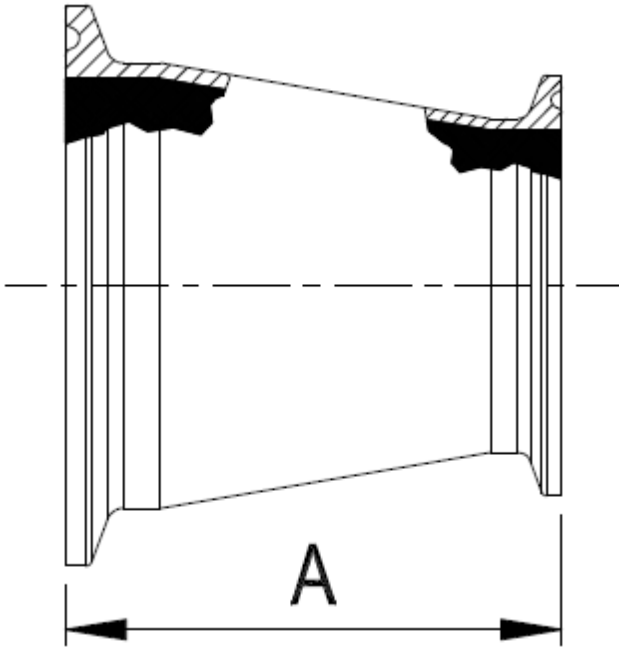
Datasheet : 405

Thermal Detection Limited
Unit 6, Primrose Hill Industrial Estate
Orde Wingate Way
Stockton-on-Tees, England,
TS19 0GA



Fax : +44 (0) 1642 618307
Tel : +44 (0) 1642 602878
Email: sales@thermal-detection.com
Web: www.thermal-detection.com
© Thermal Detection Ltd 2016

Standard Sizes for Concentric Reducers in ASME BPE



Tube Size OD	A mm
3/4" x 1/2"	50.8
1" x 1/2"	63.5
1" x 3/4"	50.8
1 1/2" x 3/4"	76.2
1 1/2" x 1"	76.2
1 1/2" x 1/2"	88.9
1 1/2" x 1"	76.2
2" x 1/2"	139.7
2" x 3/4"	127.0
2" x 1"	127.0
2" x 1 1/2"	76.2
2 1/2" x 1"	177.8
2 1/2" x 1 1/2"	127.0
2 1/2" x 2"	76.2
3" x 1"	228.6
3" x 1 1/2"	177.8
3" x 2"	127.0
3" x 2 1/2"	76.2

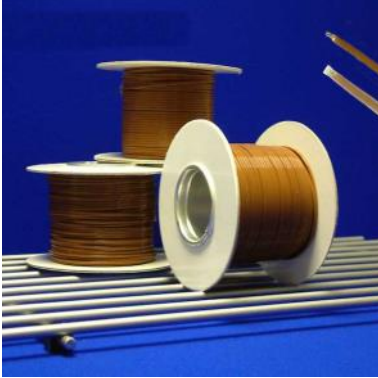
Datasheet : 405

Thermal Detection Limited
Unit 6, Primrose Hill Industrial Estate
Orde Wingate Way
Stockton-on-Tees, England,
TS19 0GA

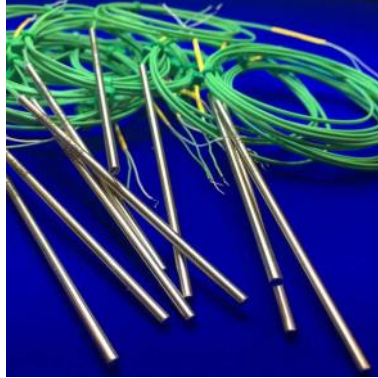


Fax : +44 (0) 1642 618307
Tel : +44 (0) 1642 602878
Email: sales@thermal-detection.com
Web: www.thermal-detection.com
© Thermal Detection Ltd 2016

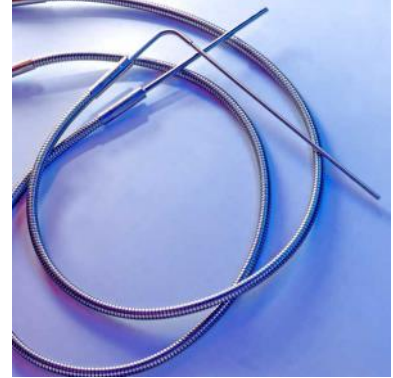
Validation Accessories:



Type T Thermocouple Wire



SD050 Drain Probe



Steriprobe® Autoclave Probe



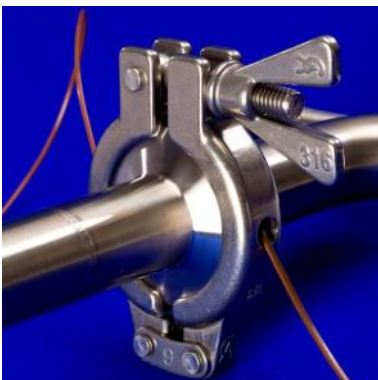
Y Piece Extension



Tee Piece Extension



Clamps, Tri-clover Blanks,
Gaskets



Validation Clamp



Bottle Cap Gland



Ampoule Holders

Datasheet : 405