

**Product Code:
PTB**

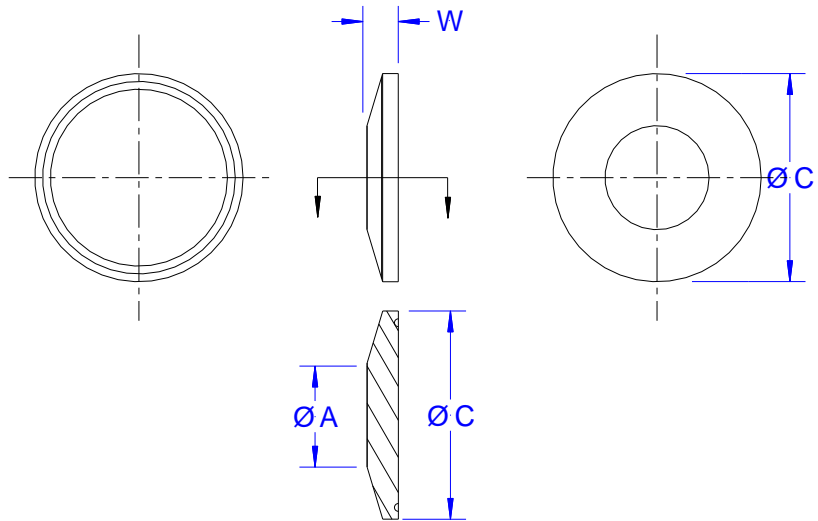
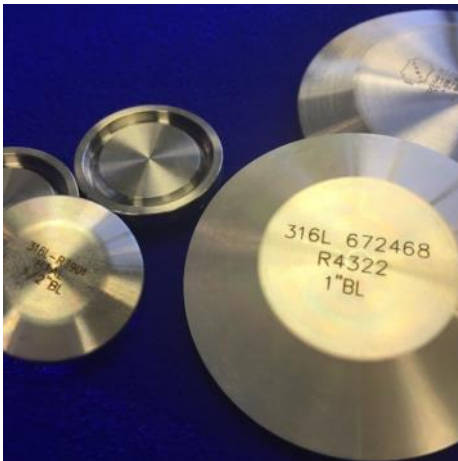
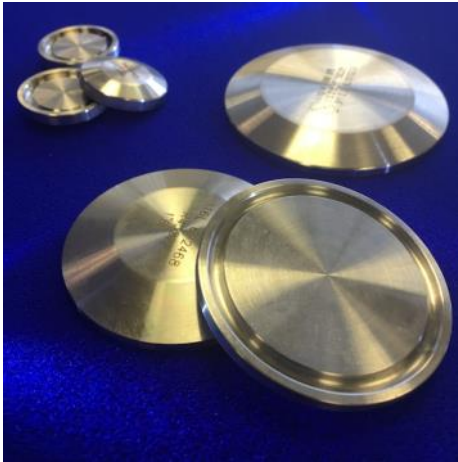
Description:

Tri-clover flanges provide smooth, crevice free interiors with secure and self aligning joints, and when combined with Pharmaceutical Clamps (PTC) and Gaskets (PTG) create a safe and easy to use connection system.

These are used where the maintenance of hygienic standards in pharmaceutical, biotech and food production is essential.

Manufactured in Grade 316L stainless steel from solid round bar stock and with a polished finish better than that required by the relevant International Standards.

Material certificates available on request.



Imperial	Metric	Face A Ø	Flange C Ø	Width 'W'	Mass (Kg)
½" - ¾"	n/a	12.5mm	25.4mm	5.6mm	0.02
1" to 1½"	25.0mm	24.5mm	55.5mm	7.0mm	0.08
2"	50.0mm	39.0mm	64.0mm	7.0mm	0.14
2½"	N/A	53.5mm	77.5mm	7.0mm	0.21
3"	65.0mm	66.5mm	91.0mm	7.0mm	0.30

Datasheet : 402

Thermal Detection Limited
Unit 6, Primrose Hill Industrial Estate
Orde Wingate Way
Stockton-on-Tees, England,
TS19 0GA



Fax : +44 (0) 1642 618307
Tel : +44 (0) 1642 602878
Email: sales@thermal-detection.com
Web: www.thermal-detection.com
© Thermal Detection Ltd 2016

Validation Accessories:



Pre-cut Validation Thermocouples



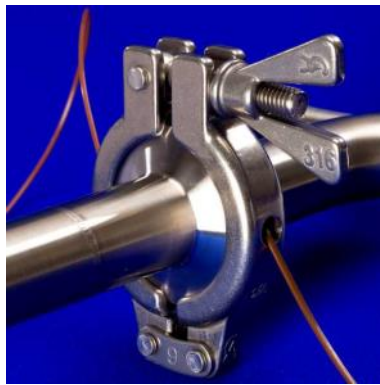
Validation Thermocouple Looms



GL45 Bottle Cap Gland for Thermocouple



Thermocouple Entry Gland TCEG



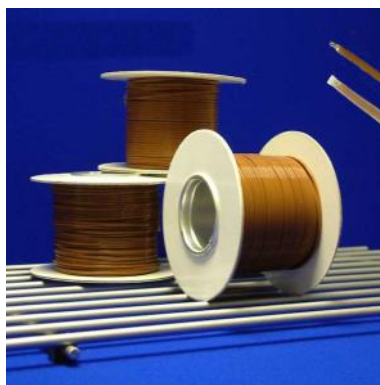
Validation Clamp



Tee Piece Extension



Tri-clover adaptors



Type T thermocouple Wire



Clamps and Tri-clover Gaskets

Datasheet : 402