

Product Code:
PTC

Description:

This double-hinged clamp is made from 316 stainless steel and has a highly polished finish. The clamp is suitable for the majority of all applications, with a maximum working pressure of 50bar dependant on clamp size, certified by TUV Germany.

Material: 316 stainless steel
Application: Normal / Heavy Duty
Hinge Lay-Out: Double Rivet Hinge Plate

For Imperial and Metric sizes see following pages



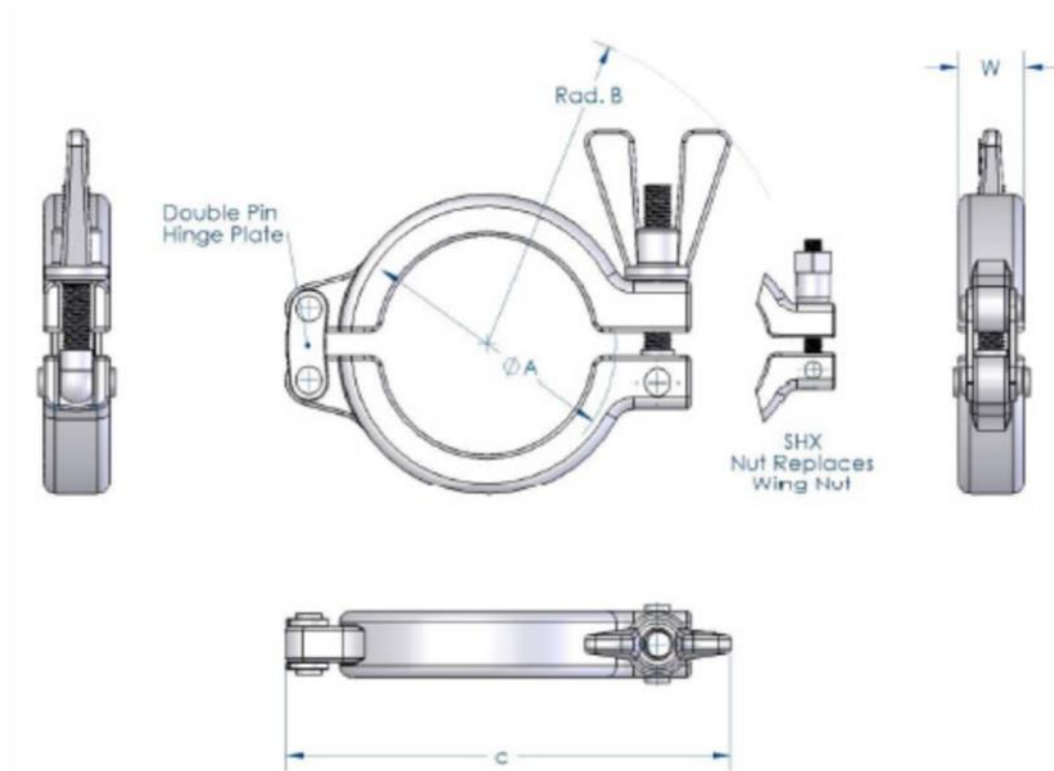
Datasheet : 400

Thermal Detection Limited
Unit 6, Primrose Hill Industrial Estate
Orde Wingate Way
Stockton-on-Tees, England,
TS19 0GA



Fax : +44 (0) 1642 618307
Tel : +44 (0) 1642 602878
Email: sales@thermal-detection.com
Web: www.thermal-detection.com
© Thermal Detection Ltd 2016

**Product Code:
PTC**



Nominal Clamp Size	Dimensions (mm)				Mass (kg)
	Flange ØA	Rad. B	Length C	Width W	
1/2" -3/4"	25.4	63.0	75.0	17.0	0.15
1"-1 1/2"	50.5	77.0	102.0	17.0	0.25
2"	64.0	93.0	123.0	17.0	0.33
2 1/2"	77.5	100.0	140.0	17.0	0.38
3"	91.0	105.0	150.0	17.0	0.44

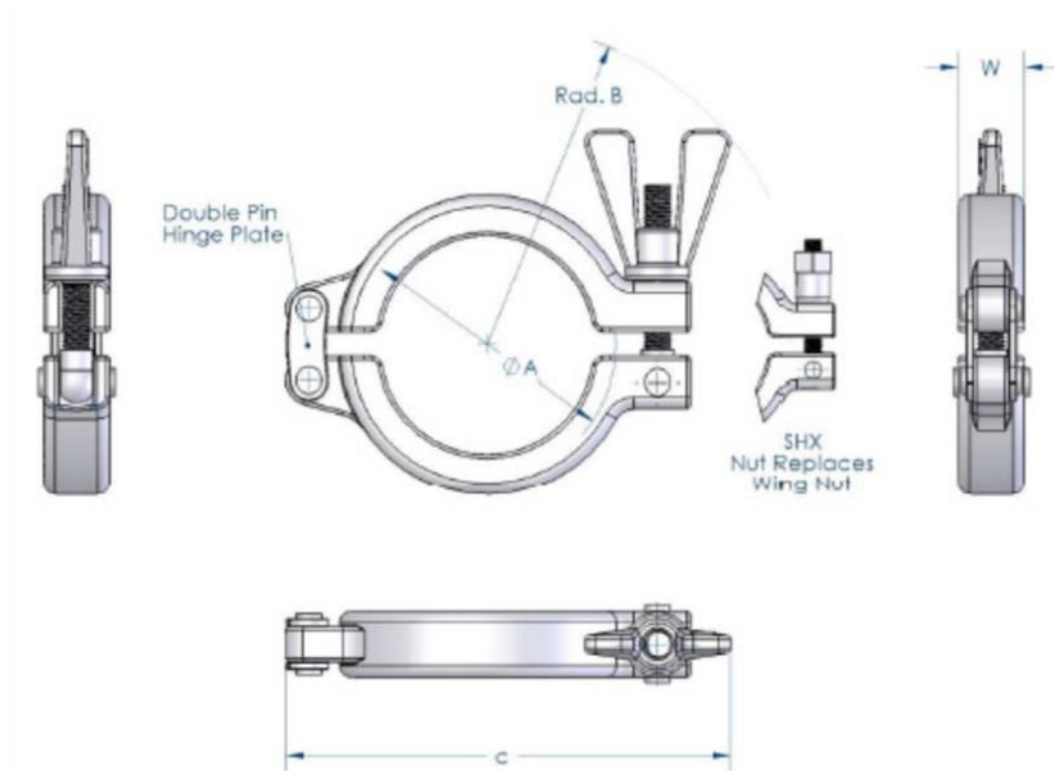
Datasheet : 400

Thermal Detection Limited
Unit 6, Primrose Hill Industrial Estate
Orde Wingate Way
Stockton-on-Tees, England,
TS19 0GA



Fax : +44 (0) 1642 618307
Tel : +44 (0) 1642 602878
Email: sales@thermal-detection.com
Web: www.thermal-detection.com
© Thermal Detection Ltd 2016

**Product Code:
PTC**



Nominal Clamp Size	Dimensions (mm)				Mass (kg)
	Flange $\varnothing A$	Rad. B	Length C	Width W	
25	50.5	88.0	109.0	17.0	0.22
50	64.0	93.0	123.0	17.0	0.28
65	91.0	105.0	150.0	17.0	0.44
80	106.0	110.0	165.0	17.0	0.44
100	119.0	119.0	185.0	17.0	0.57

Datasheet : 400

Validation Accessories:



Pre-cut Validation Thermocouples



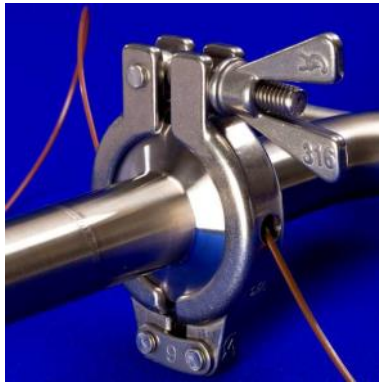
Validation Thermocouple Looms



GL45 Bottle Cap Gland for Thermocouple



Thermocouple Entry Gland TCEG



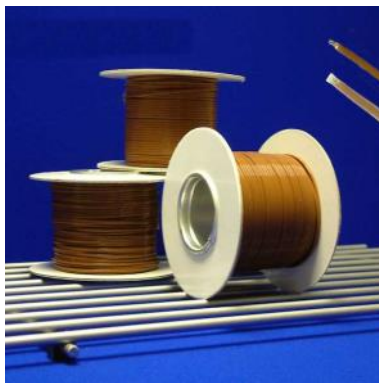
Validation Clamp



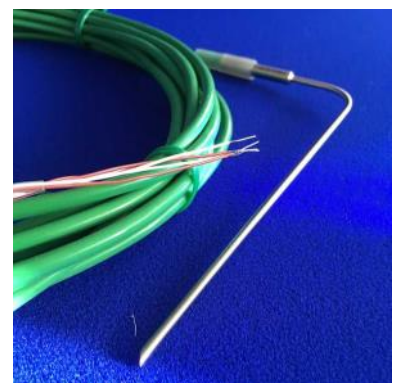
Tee Piece Extension



Tri-clover adaptors



Type T thermocouple Wire



Autoclave Load Probes

Datasheet : 400