

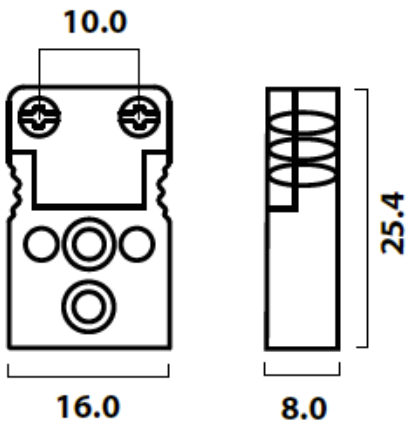
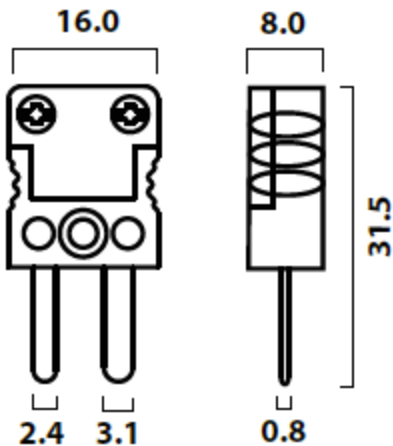
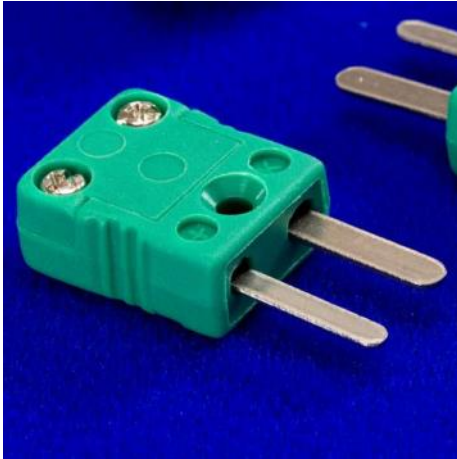
Product Code:
MMC
MFC

Description:

The range of mini connectors are suitable for all common thermocouple types and come in either IEC or ANSI colour codes. The main body has the thermocouple identification letter as part of the mould.

Male and female connectors use two captive screws on the removable cover to ensure simple and fast assembly. The thermocouple terminals will accept stranded or solid core conductors.

Plugs and sockets available separately



Plug Code	Socket Code	Thermocouple	ANSI	IEC	Colour
MMC-K	MFC-K	K		✓	Green
MMC-K-A	MFC-K-A	K	✓		Yellow
MMC-J	MFC-J	J	✓	✓	Black
MMC-T-A	MFC-T-A	T	✓		Blue
MMC-T	MFC-T	T		✓	Brown
MMC-N-A	MFC-N-A	N	✓		Orange
MMC-N	MFC-N	N		✓	Pink

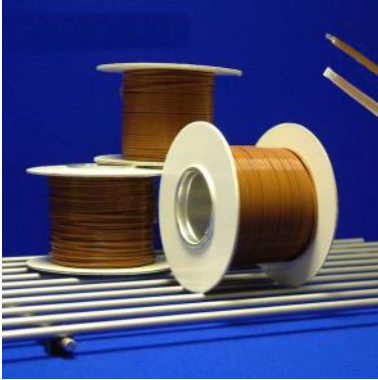
Datasheet : 088

Thermal Detection Limited
Unit 6, Orde Wingate Way
Primrose Hill Industrial Estate
Stockton-on-Tees, TS19 0GA
UK



Fax : +44 (0) 1642 618307
Tel : +44 (0) 1642 602878
Email: sales@thermal-detection.com
Web: www.thermal-detection.com
© Thermal Detection Ltd 2016

Validation Accessories:



Type T Thermocouple Wire



Pre-cut Validation Thermocouples



Validation Thermocouple Wires in a Loom



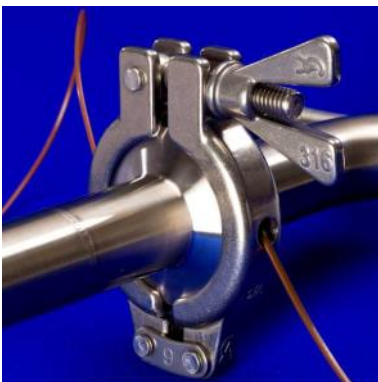
Standard Connectors



Tee Piece Extension



Clamps, Tri-clover blanks, gaskets



Validation Clamp



Bottle Cap Gland



Ampoule Holders

Datasheet : 088