

Sanitary sensor from our quick connect range of temperature probes.

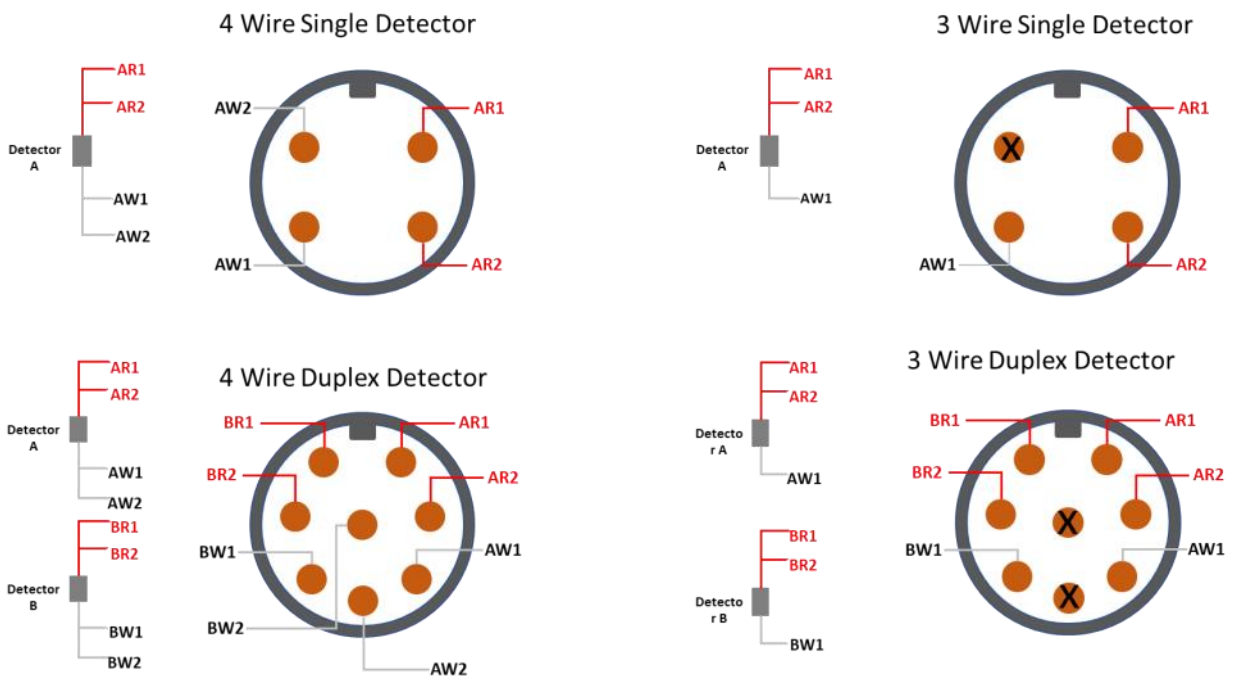
- Designed for the **Food, Dairy and the Pharmaceutical** industries.
- The sensors are encapsulated in 316L grade stainless steel housings with the wetted parts to a highly polished smooth surface finish.
- The M12 lockable connector allows for the probe to be easily disconnected from the extension cables for replacement or periodic calibration.
- Available with extension leads with straight or 90° mating connectors.



Specification:	
PROBE WITH INTEGRAL PLUG	
PROBE DIMENSIONS	Diameter : Metric: 3.0mm, 4.0mm, 4.5mm, 5.0mm, 6.0mm, 8.0mm Imperial: 1/8", 3/16", 1/4" Length: 100mm to as required
PROBE AND BARREL MATERIAL	316/316L stainless steel
DETECTOR	Single or Duplex (3, 4 wire) PT100 or PT1000 Class 'A', 'AA' to BS EN 60751:2008. 1/10 DIN also available.
CONNECTOR	Integral 4 pin / 8 pin M12 A coded male connector housed in st st barrel and welded to probe.
MOUNTING	Tri-cover: 1-1.5", 2.0 and 2.5" or metric DN
TRANSMITTER	Probe with single detector is available with an optional integral temperature transmitter inside barrel , for a 4-20mA output.
LEADS WITH FEMALE CONNECTOR	
CONNECTOR	Mating M12 female. 90° or in line. Lockable
LEADS	Silver plated copper conductors, PFA insulated with a PFA jacket. Any length. Optional 316 stainless steel flexible conduit for mechanical protection.
OPERATING RANGE	Probe: -50 to +250°C Connector: 85°C max
OPTIONAL EXTRAS	
<ul style="list-style-type: none"> • Steelwork pickled, passivated and electropolished • Surface finish better than 0.8 RA micrometres for wetted parts • ADIF statement for wetted parts 	

Datasheet : 017

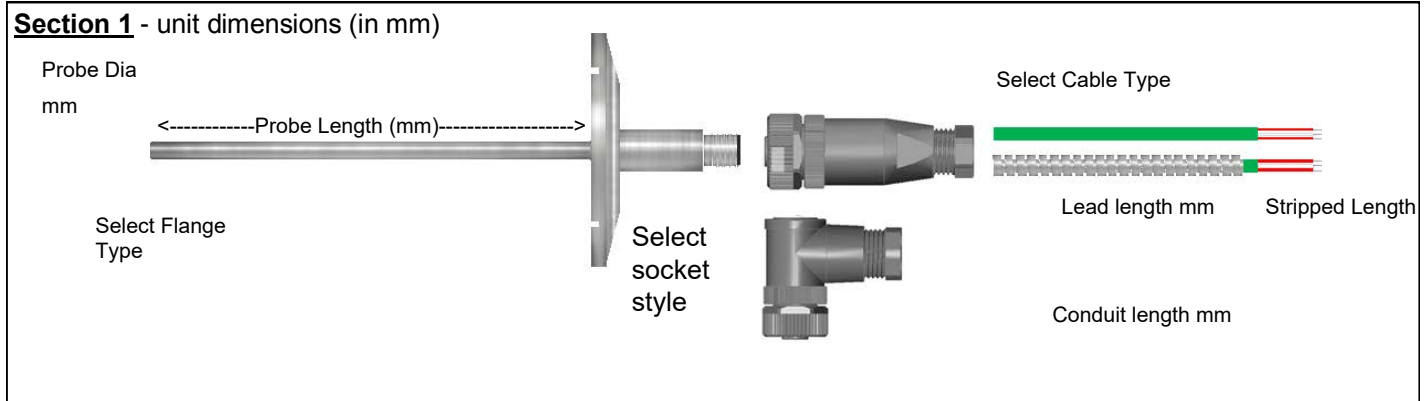
M12 Connector Wiring Diagram



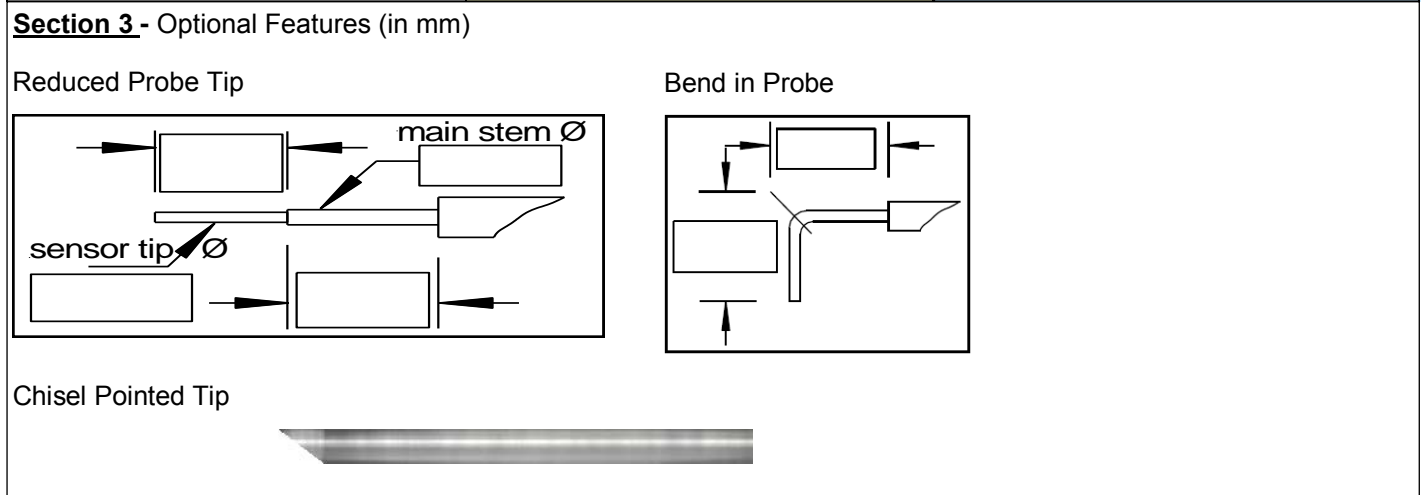
Datasheet : 017

Please download PDF and fill in the boxes. Return form to sales@thermal-detection.com or fax to +44 1642 618307

Name: _____ Email: _____
 Organisation: _____ Tel: _____
 Country _____



Section 2 - Sensor Configuration	PT100 Type	Transmitter? No Transmitter?
Sensor Number Single Duplex	Type Class 'A' 1/3 DIN 3 wire 1/10 DIN 4 wire	Min / Max Range °C



Section 4 - Application Details

Number of probes required _____ Additional information _____

Industry Type _____