

Two-wire infrared thermometer for temperature measurement of glass from 200 °C to 1650 °C

Features:

- Accurate glass temperature measurements on flat glass lines, container glass machines, bulb manufacturing and car glass finishing
- Temperature ranges from 200 °C to 1650 °C, measuring spot sizes from 1.6 mm and response times from 30 ms
- Standard two-wire interface for reliable data transfer and easy integration into a PLC
- Innovative double-laser sighting for exact marking of measurement targets
- Fast sensor parameterization and real-time measurement via USB
- Dependable in ambient temperatures up to 85 °C without additional cooling



Measurement specifications

Temperature range (scalable via software)	200 ... 1450 °C (G5HF) 250 ... 1650 °C (G5H1F)
Spectral range	5.0 μm
Optical resolution (90 % energy)	45:1
System accuracy (at T _{amb} = 23 ± 5 °C)	±1 % or ±1.5 °C ²⁾
Repeatability (at T _{amb} = 23 ± 5 °C)	±0.5 % or ±0.5 °C ²⁾
Temperature resolution	0.1 K
Response time (90 % signal)	30 ms
Emissivity/ Gain (adjustable via sensor or software)	0.100 – 1.100
IR window correction (adjustable via software)	0.100 – 1.000
Signal processing (parameter adjustable via software)	Peak hold, valley hold, average; extended hold function with threshold and hysteresis
Software / App	optris Compact Connect / IRmobile app

¹⁾ In dependence on supply voltage

²⁾ Whichever is greater

General specifications

Environmental rating	IP 65 (NEMA-4) front mountable at vacuum processes (up to 10 ⁻³ mbar)
Ambient temperature	-20 ... 85 °C (50 °C with laser ON)
Storage temperature	-40 ... 85 °C
Relative humidity	10 – 95 %, non-condensing
Vibration	IEC 68-2-6: 3 G, 11 – 200 Hz, any axis
Shock	IEC 68-2-27: 50 G, 11 ms, any axis
Weight	600 g

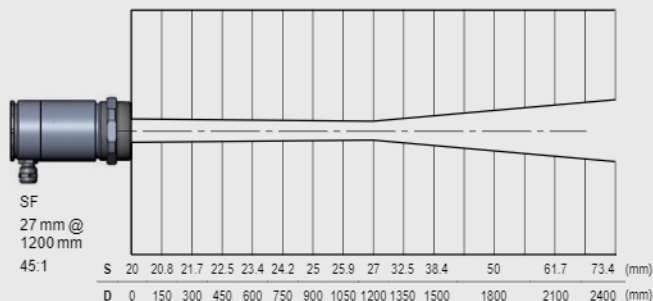
Electrical specifications

Output / analog	4 – 20 mA
Loop resistance	Max. 1000 Ω ¹⁾
Output / alarm	0 – 30 V / 500 mA (open collector)
Output / digital	Uni-/ bidirectional, 9.6 kBaud, 0/3 V digital level, USB optional
Cable length (connector version only)	3 m / 8 m / 15 m
Current draw (laser)	45 mA at 5 V 20 mA at 12 V 12 mA at 24 V
Power supply	5 – 30 V DC

optris CSLaser G5

Optical parameters

Chart of SF optics, D:S = 45:1

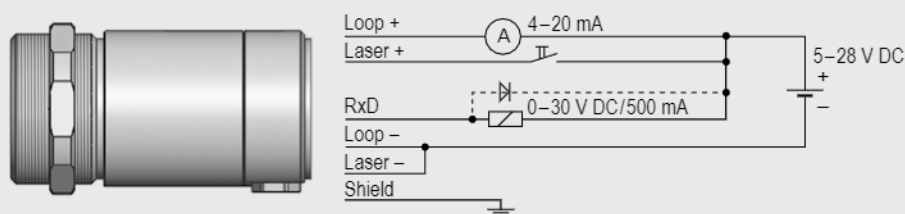


Further optics, D:S = 45:1

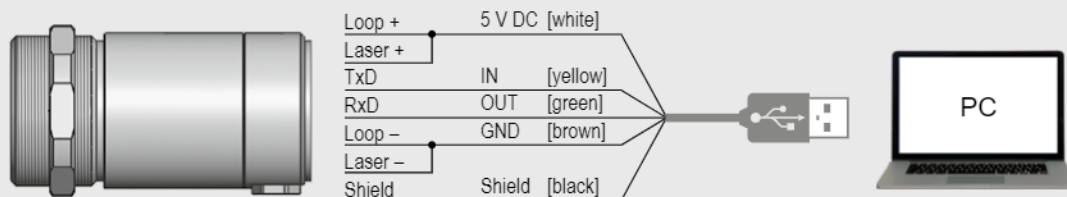
... SF	27.0 mm @ 1200 mm
... CF1	1.6 mm @ 70 mm
... CF2	3.4 mm @ 150 mm
... CF3	4.5 mm @ 200 mm
... CF4	10.0 mm @ 450 mm

Connections

Analog mode of operation



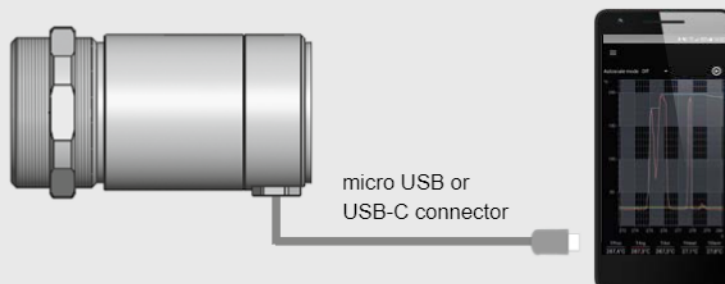
Digital mode of operation



Easy adjustment via IRmobile app

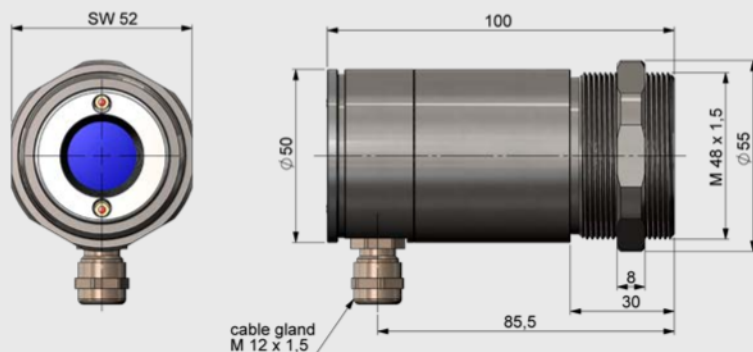
The CSLaser G5 can be connected to a smartphone via the IR app connector.

For Android devices running 5.0 or higher.



Dimensions / accessories (examples)

Dimensions CSLaser G5



Electrical connections / emissivity adjustment (sensor back side)

